

PRODUCT NOTES:

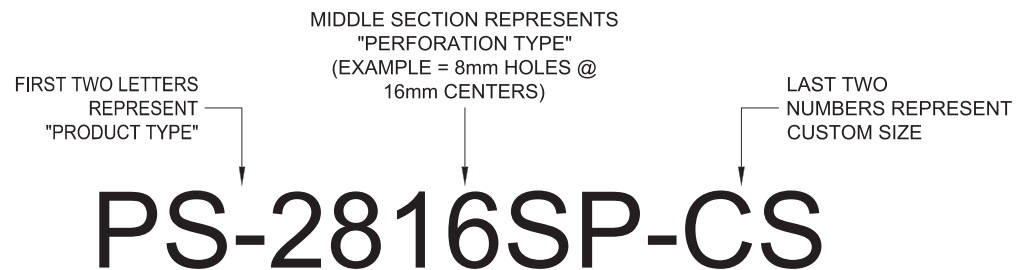
THESE ARE THE STANDARD GEOPANEL CONFIGURATIONS. CONTACT GEOMETRIK FOR INFORMATION REGARDING CUSTOM SIZES.

CUSTOM SIZES CAN BE UP TO 4'-0" WIDE X 8'-0" LONG.

TYPICAL STEPS FOR CUTTING PANELS:

1. MEASURE NON-FULL SQUARE DIMENSIONS DESIRED.
2. DETERMINE PANEL SIDE EDGE TO BE CUT.
3. SELECT PROFILE TO BE CUT.
4. CUT PANEL TO DESIRED WIDTH/ LENGTH.
5. RE-PROFILE NECESSARY GROOVES AS PER PRIOR TO CUTTING.
6. REPLACE EDGE BANDING TO MATCH.
7. REFINISH EDGE BANDING TO MATCH.

HOW TO READ PRODUCT "SKU" :



"SKU" ABBREVIATIONS:

- PS = GEOPANEL PERFO S
- CS = CUSTOM SIZE
- SP = STANDARD PATTERN
- DP = DIAGONAL PATTERN
- 2200SL = SLOTTED PERFORATION
- 2300RS = ROUND SQUARE PERFORATION



www.geometrik.com info@geometrik.com

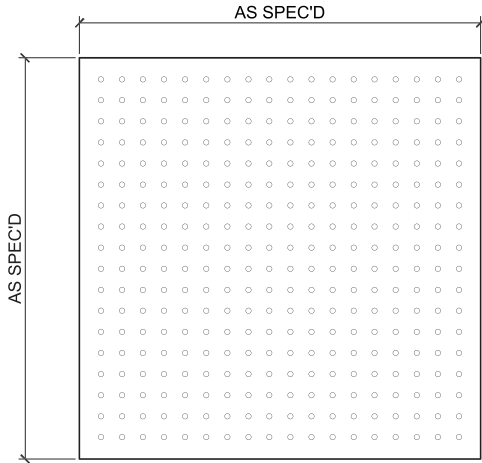
Description:
SKU INFORMATION

Product:
GEOPANEL PERFO S

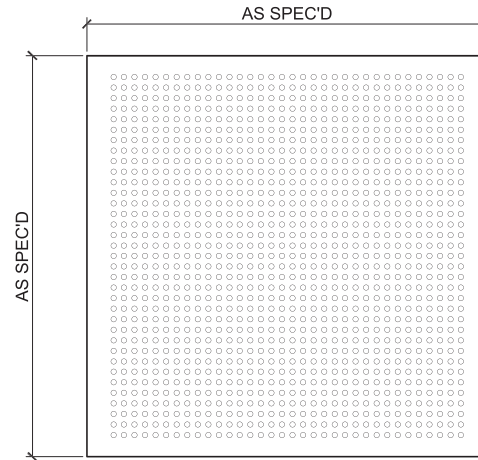
Date: MAR-31-2011

Drawn By: TM

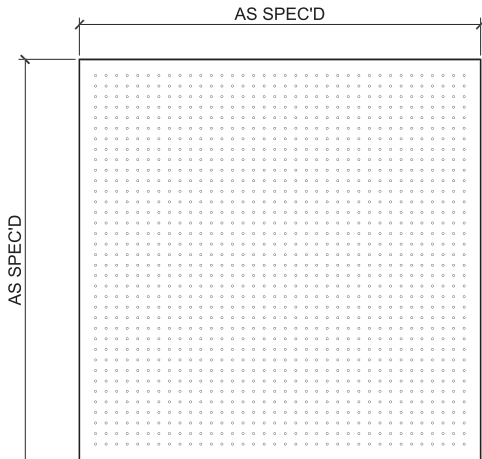
Sheet No:
PS1.0



ROUND PERFORATION - SQUARE PATTERN		
SKU #	PANEL SIZE	PERFORATION
PS-2832SP-CS	CUSTOM SIZE	8mm HOLES @ 32mm O/C



ROUND PERFORATION - SQUARE PATTERN		
SKU #	PANEL SIZE	PERFORATION
PS-2816SP-CS	CUSTOM SIZE	8mm HOLES @ 16mm O/C



ROUND PERFORATION - SQUARE PATTERN		
SKU #	PANEL SIZE	PERFORATION
PS-2316SP-CS	CUSTOM SIZE	3mm HOLES @ 16mm O/C

GEOPANEL PERFO S



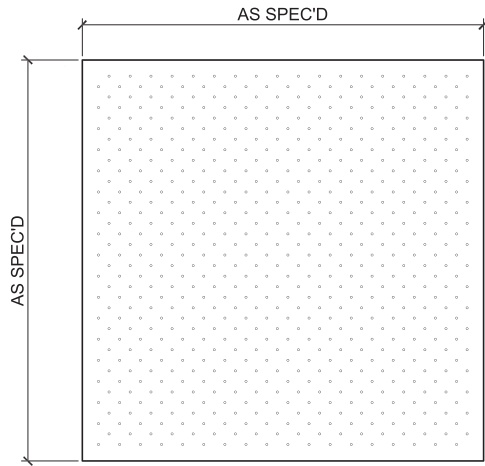
www.geometrik.com info@geometrik.com

Description:
STANDARD CONFIGURATIONS

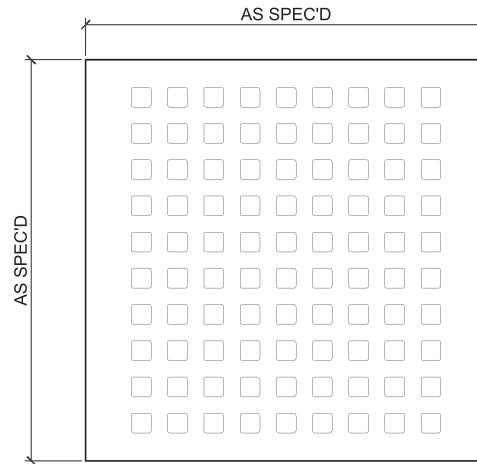
Product:
GEOPANEL PERFO S

Date: MAR-31-2011 Drawn By: TM

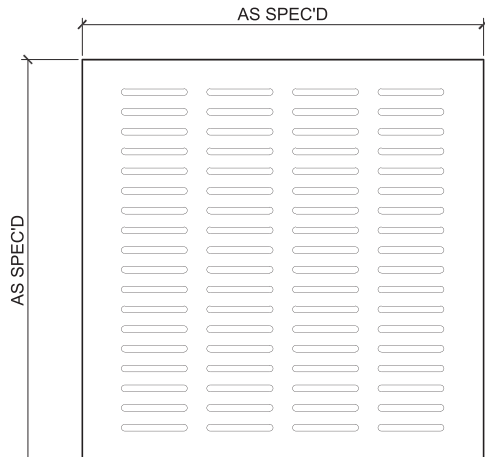
Sheet No:
PS1.1



ROUND PERFORATION - DIAGONAL PATTERN		
SKU #	PANEL SIZE	PERFORATION
PS-2316DP-CS	CUSTOM SIZE	3mm HOLES ON 16mm CENTERS



ROUND SQUARE PERFORATION - SQUARE PATTERN		
SKU #	PANEL SIZE	PERFORATION
PS-2300RS-CS	CUSTOM SIZE	30mm X 30mm ROUNDED SQUARE



SLOTTED PERFORATION		
SKU #	PANEL SIZE	PERFORATION
PS-2200SL-CS	CUSTOM SIZE	100mm X 10mm SLOT



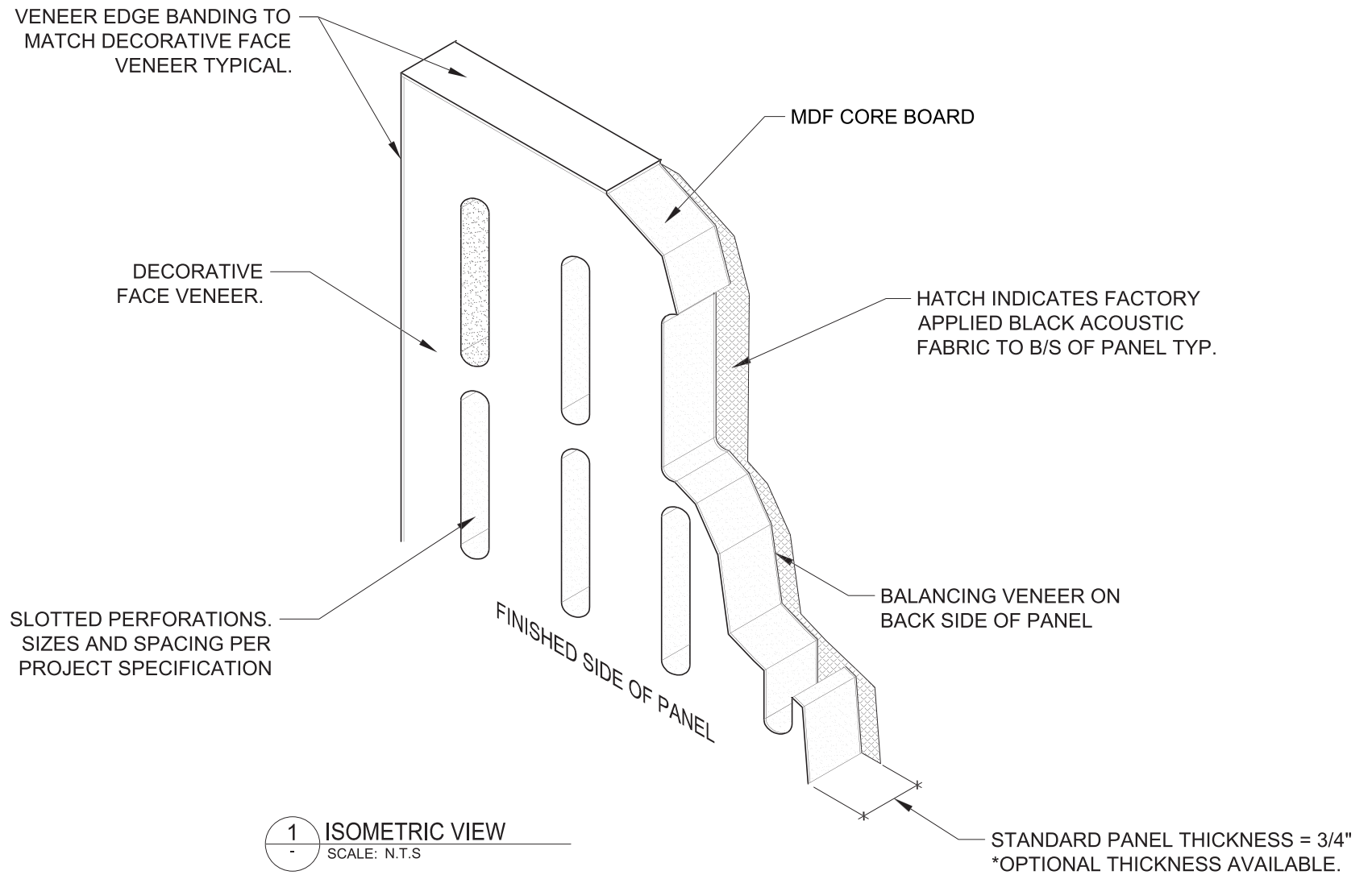
www.geometrik.com info@geometrik.com

Description:
STANDARD CONFIGURATIONS

Product:
GEOPANEL PERFO S

Date: **MAR-31-2011** Drawn By: **TM**

Sheet No:
PS1.2



www.geometrik.com info@geometrik.com

Description:
TYPICAL WOOD PANEL
CONSTRUCTION

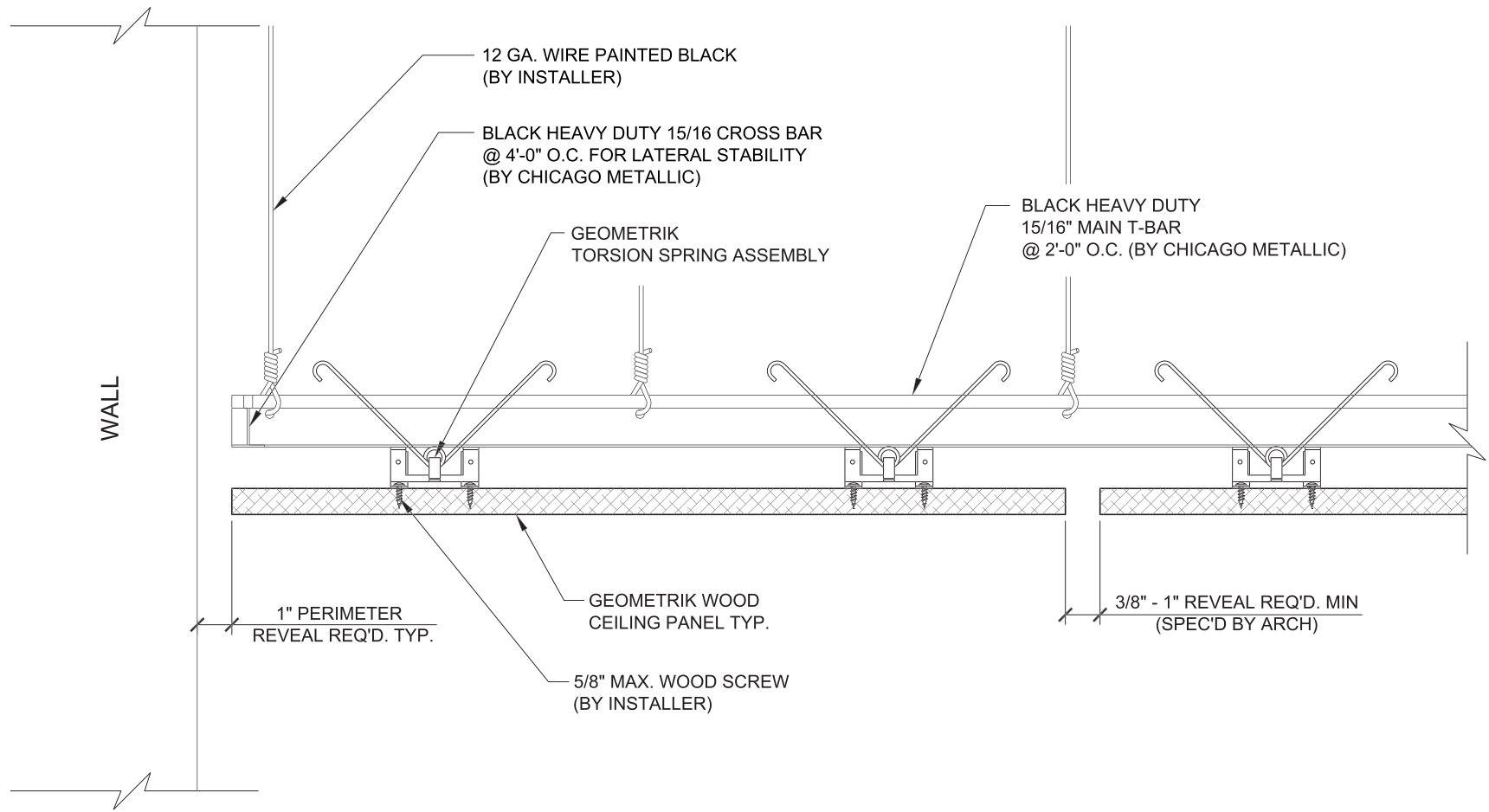
Product:
GEOPANEL PERFO S

Date: MAR-31-2011

Drawn By: TM

Sheet No:

PS2.0



www.geometrik.com info@geometrik.com

Description:
**TORSION SPRING
 SUSPENSION SYSTEM**

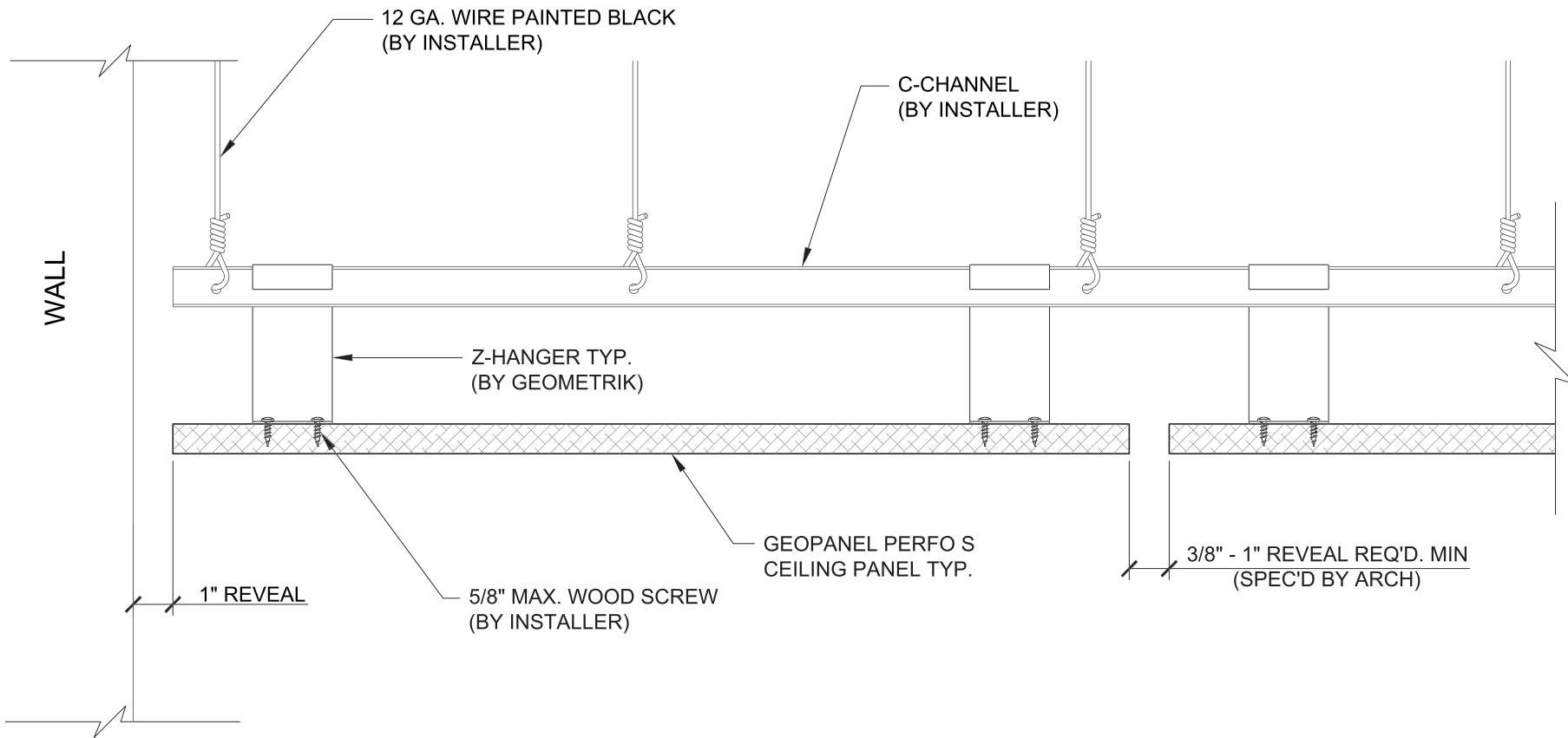
Product:
GEOPANEL PERFO S

Date: MAR-31-2011

Drawn By: TM

Sheet No:

PS3.0



www.geometrik.com info@geometrik.com

Description:
Z-HANGER
SUSPENSION

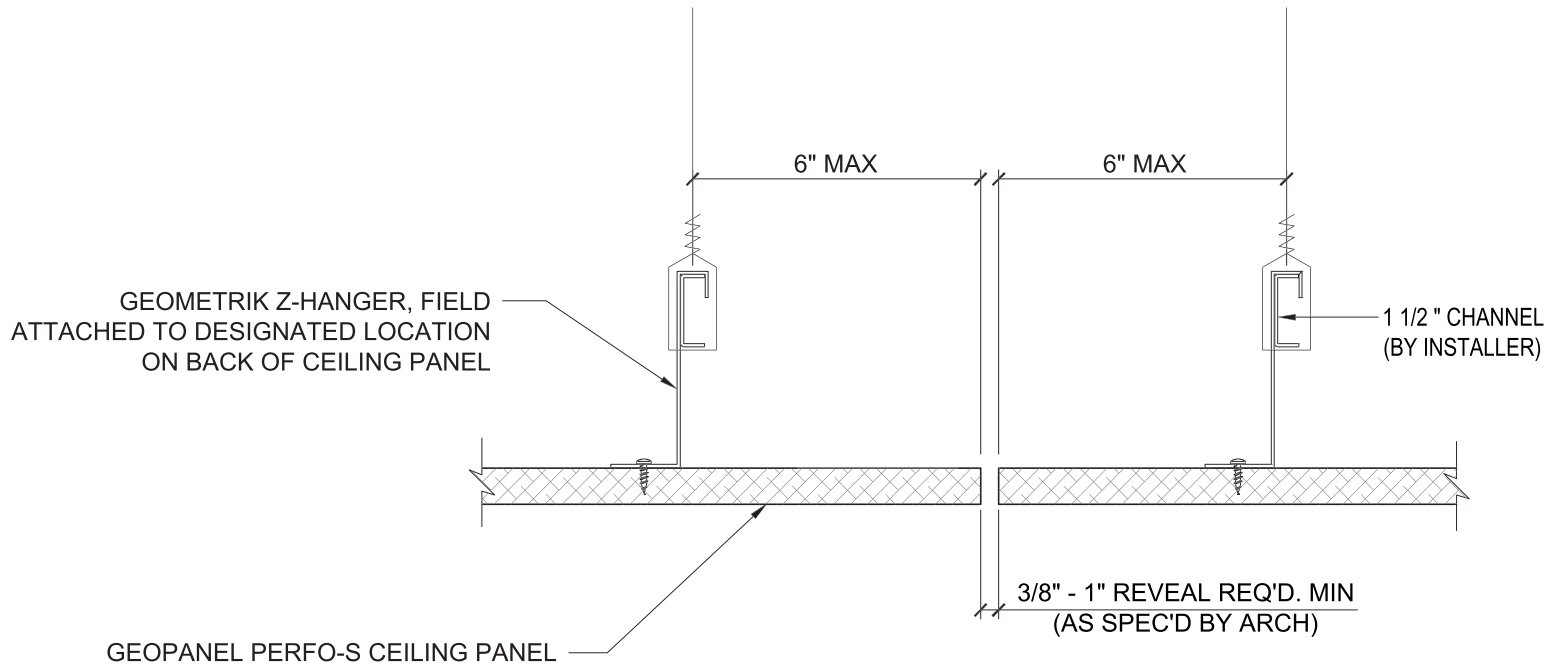
Product:
GEOPANEL PERFO S

Date: MAR-31-2011

Drawn By: TM

Sheet No:

PS3.1



www.geometrik.com info@geometrik.com

Description:
Z-HANGER
SUSPENSION SYSTEM

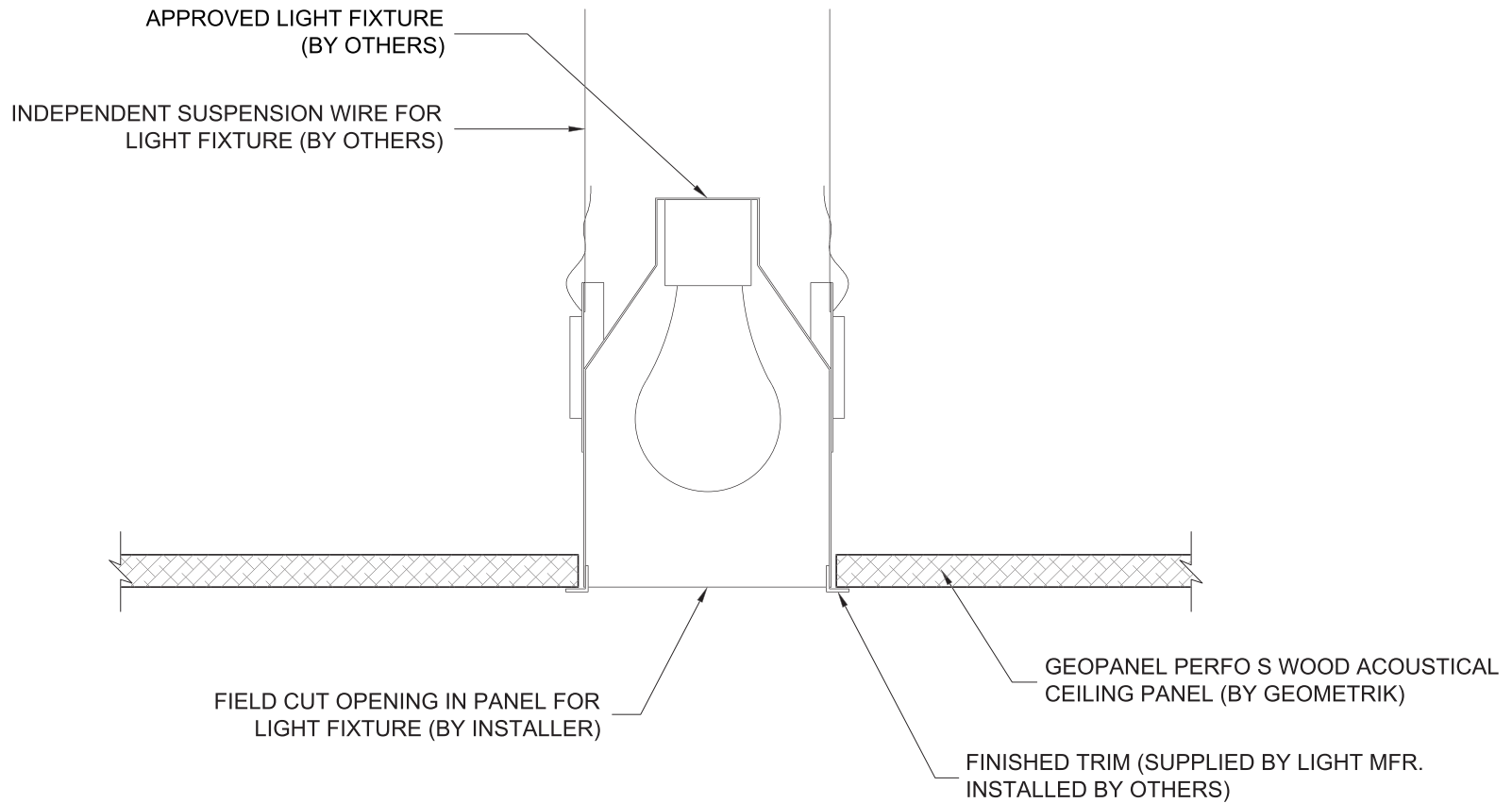
Product:
GEOPANEL PERFO S

Date: MAR-31-2011

Drawn By: TM

Sheet No:

PS3.2



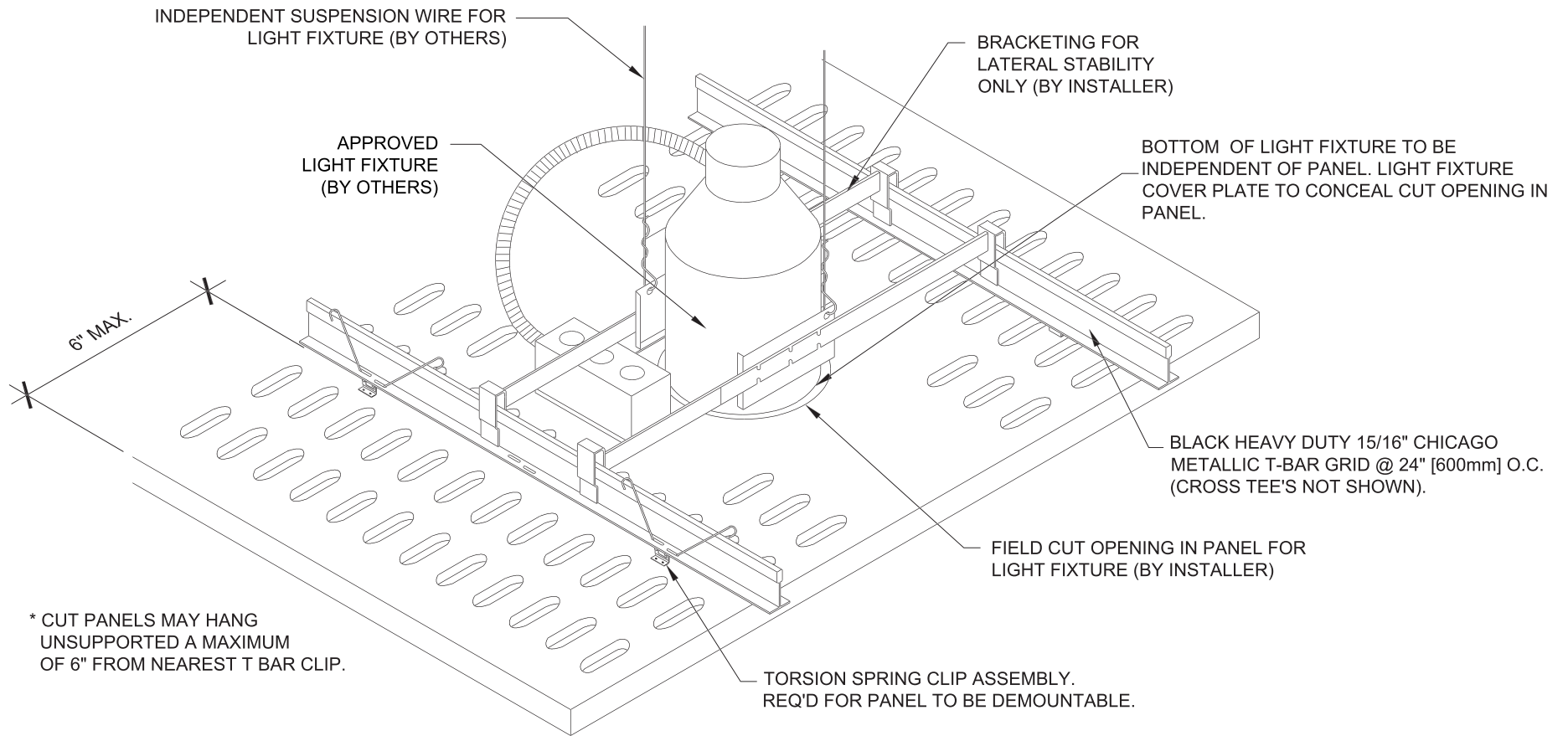
www.geometrik.com info@geometrik.com

Description:
**POT LIGHT
 INSTALLATION**

Product:
GEOPANEL PERFO S

Date: MAR-31-2011 Drawn By: TM

Sheet No:
PS7.0



www.geometrik.com info@geometrik.com

Description:
**POTLIGHT
 CEILING INSTALL**

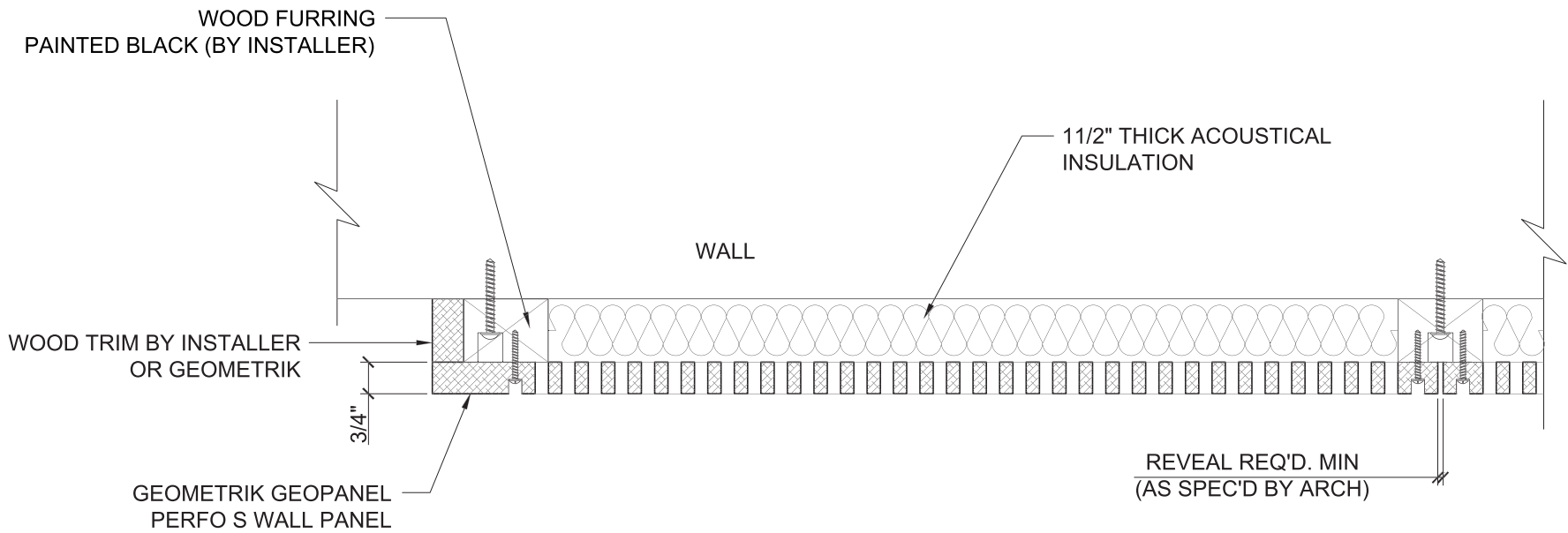
Product:
GEOPANEL PERFO S

Date: **MAR-31-2011**

Drawn By: **TM**

Sheet No:

PS7.1



www.geometrik.com info@geometrik.com

Description:
WALL PANEL
INSTALLATION DETAIL

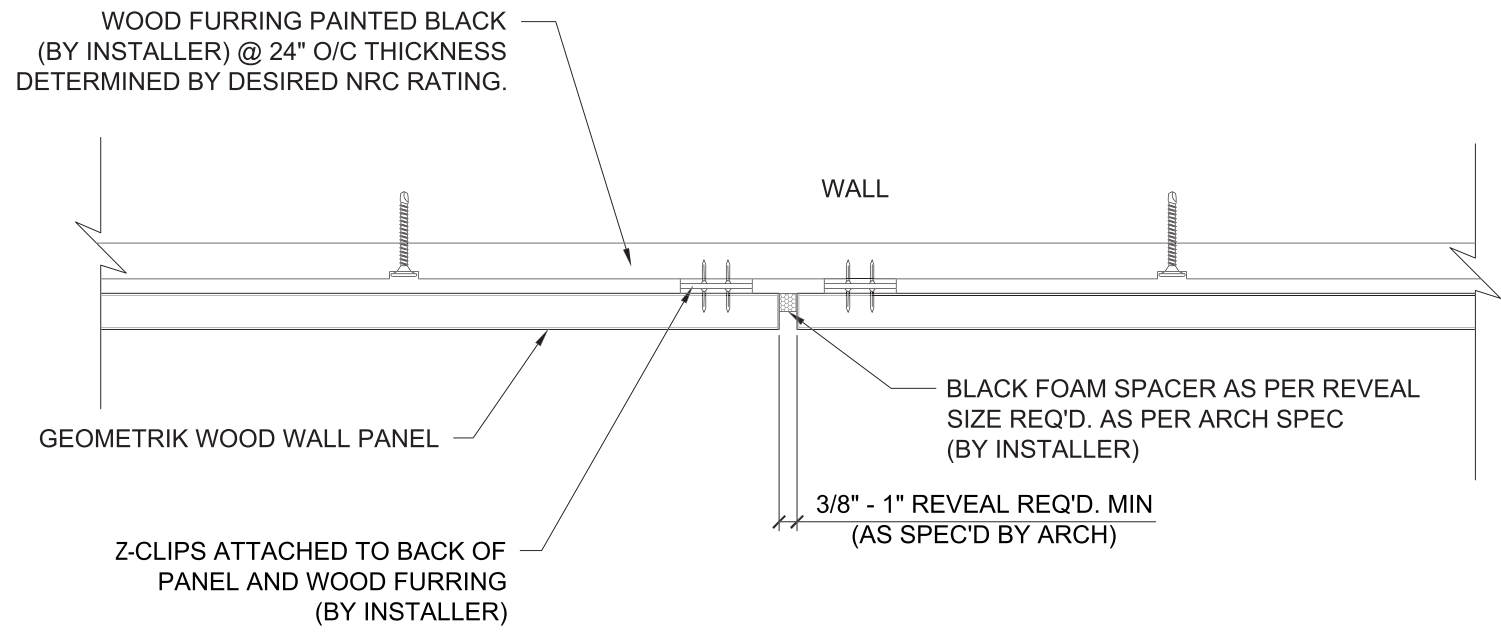
Product:
GEOPANEL PERFO S

Date: MAR-31-2011

Drawn By: TM

Sheet No:

PS.13.0



www.geometrik.com info@geometrik.com

Description:
WALL Z-CLIP
ATTACHMENT

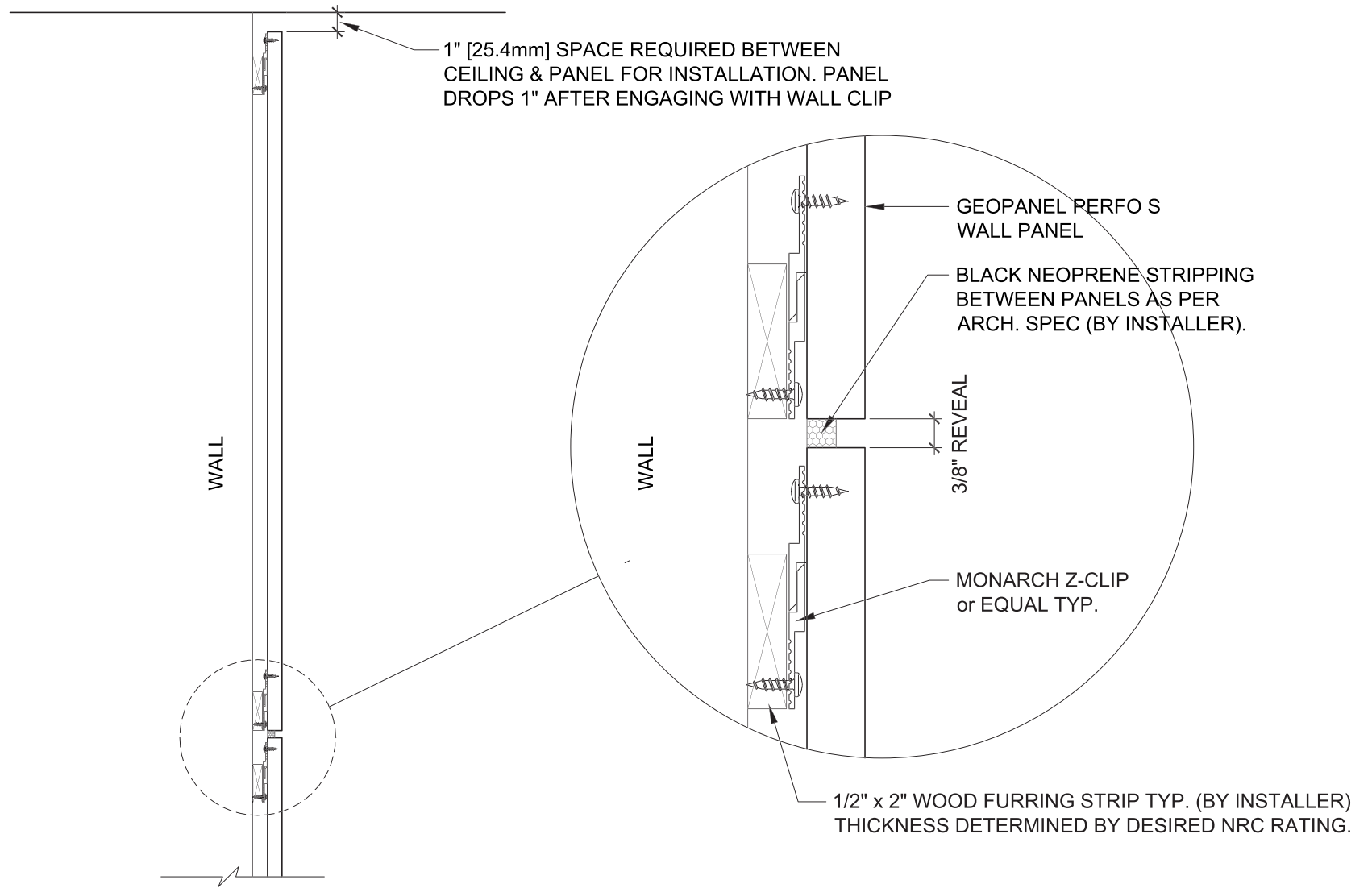
Product:
GEOPANEL PERFO S

Date: MAR-31-2011

Drawn By: TM

Sheet No:

PS9.1



www.geometrik.com info@geometrik.com

Description:
Z-CLIP
ATTACHMENT DETAIL

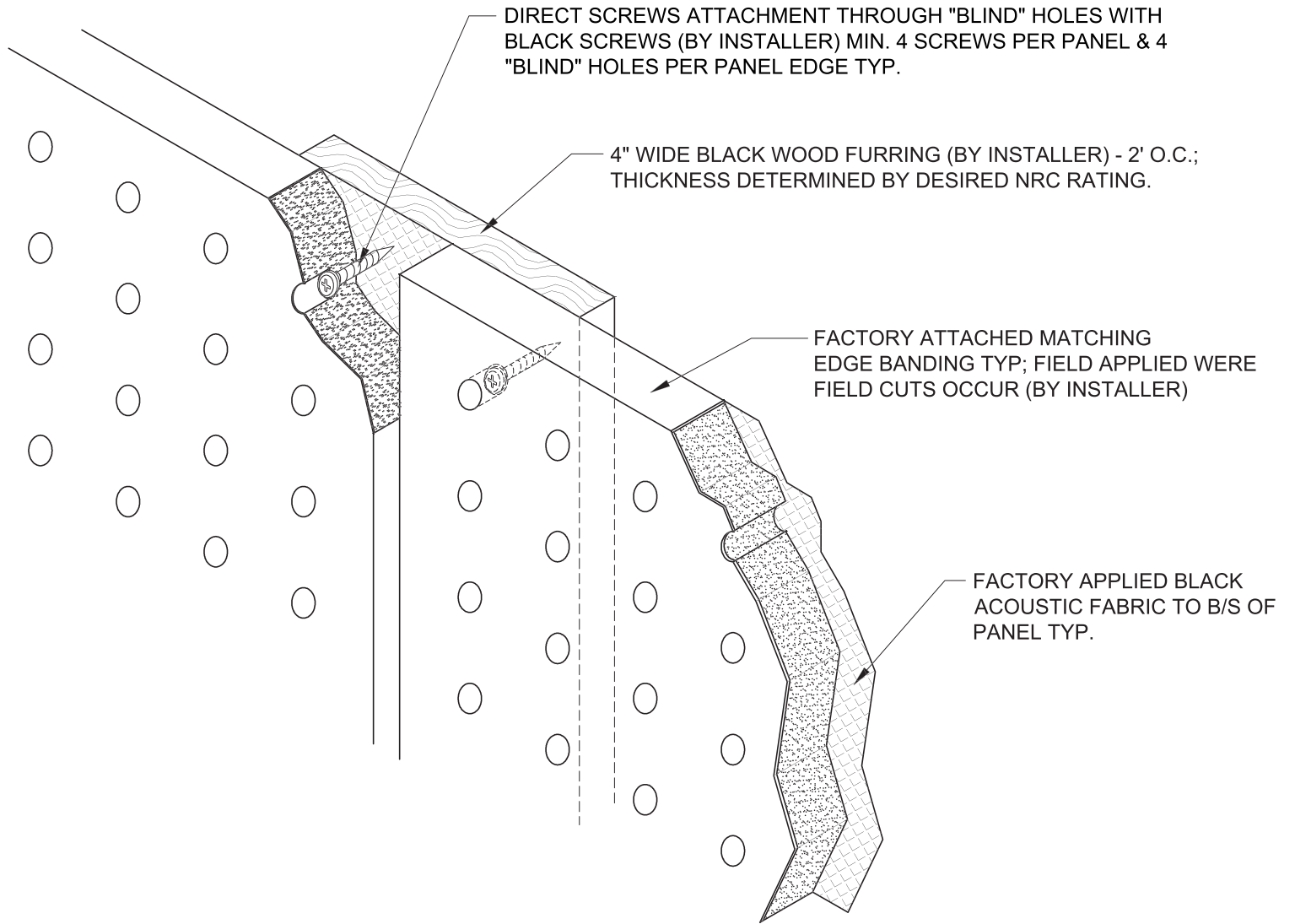
Product:
GEOPANEL PERFO S

Date: MAR-31-2011

Drawn By: TM

Sheet No:

PS9.2



www.geometrik.com info@geometrik.com

Description:
WALL ATTACHMENT
DETAIL

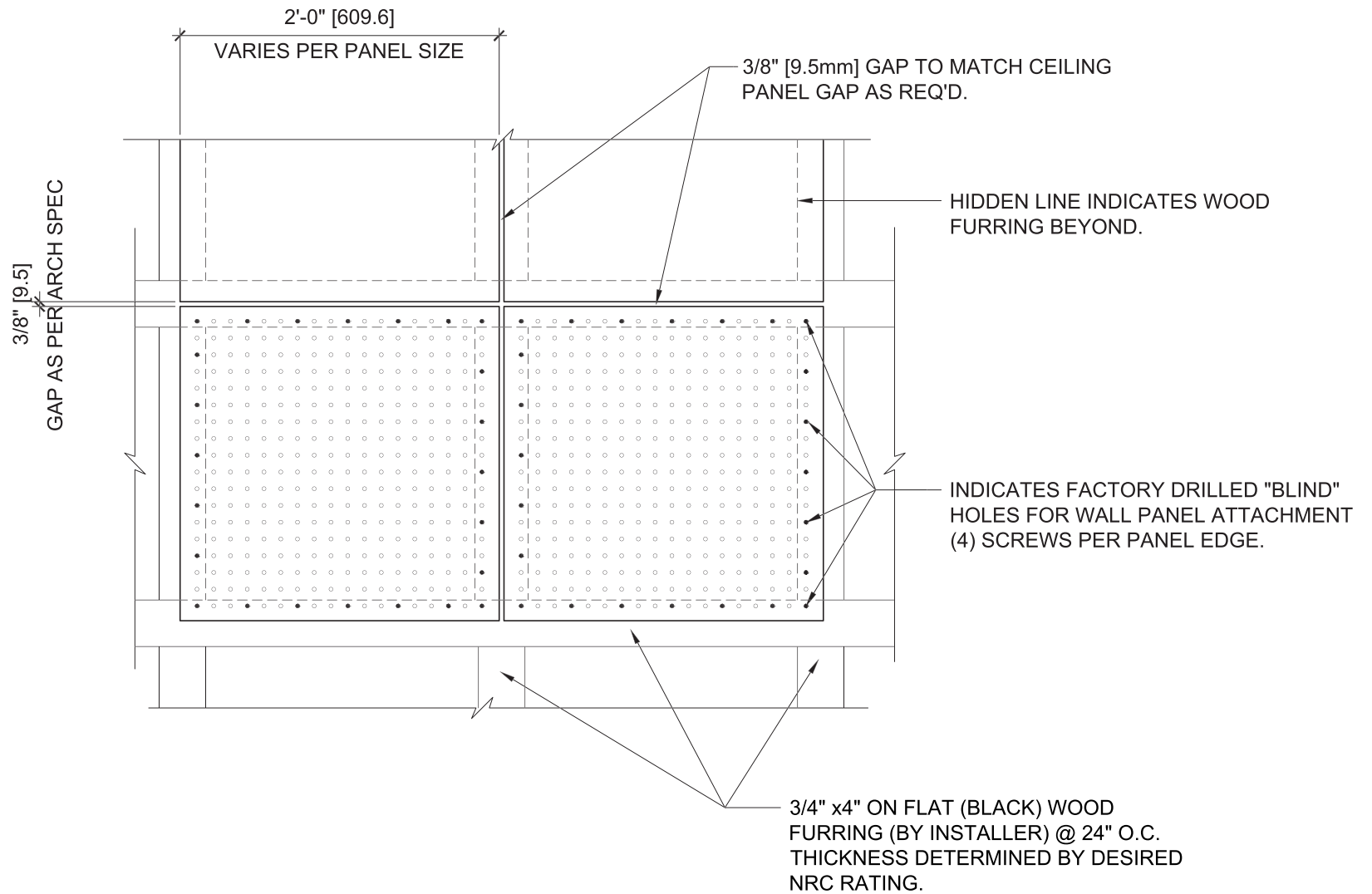
Product:
GEOPANEL PERFO S

Date: MAR-31-2011

Drawn By: TM

Sheet No:

PS9.3



www.geometrik.com info@geometrik.com

Description:
**WALL PANEL
ATTACHMENT DETAIL**

Product:
GEOPANEL PERFO S

Date: MAR-31-2011

Drawn By: TM

Sheet No:

PS9.4